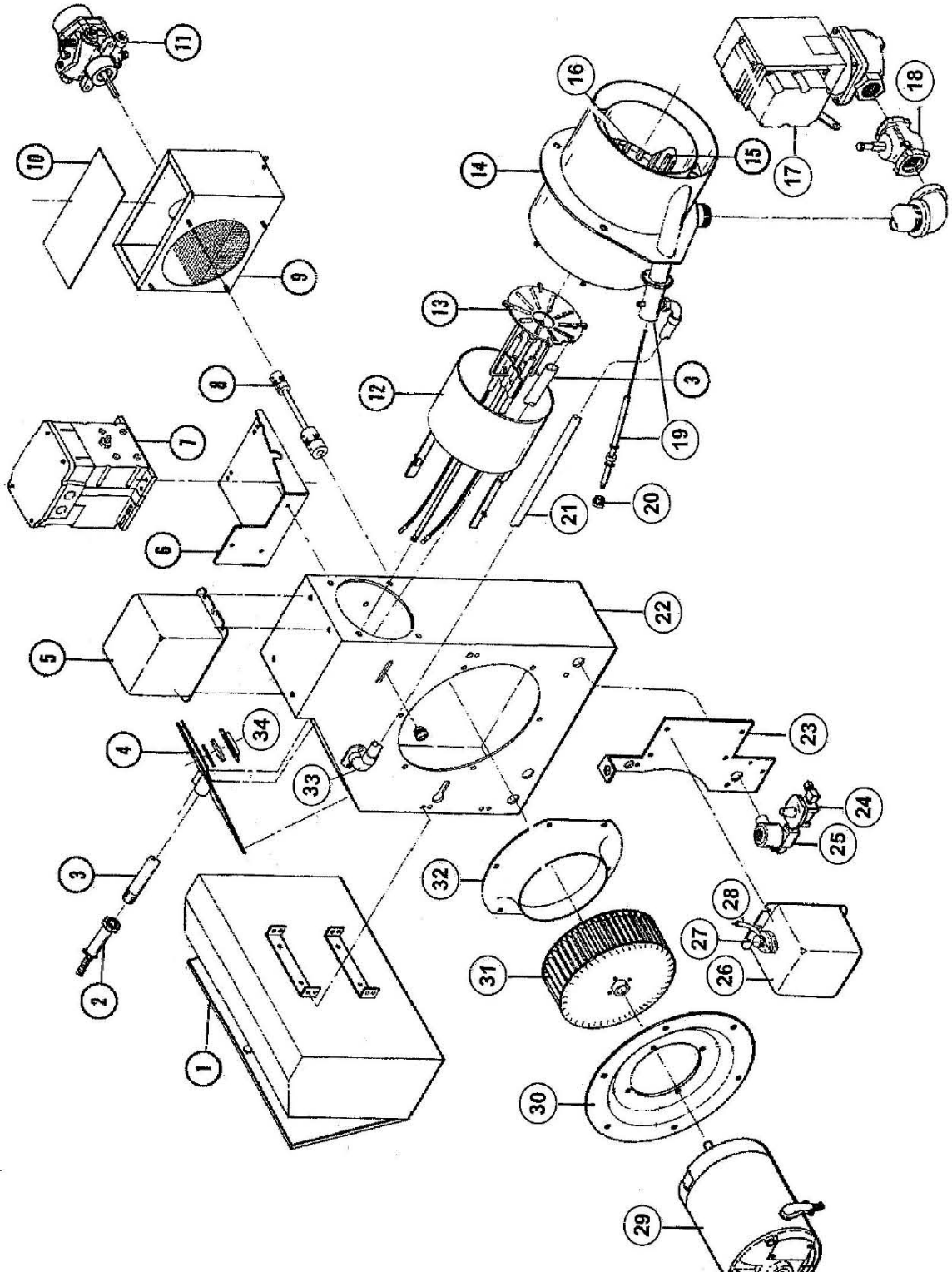


TYPICAL S6, S7, S8, S10.9, S10, S10.1 GAS-OIL BURNER

SEE PART IV FOR GAS SYSTEM COMPONENTS, PART V FOR OIL SYSTEM COMPONENTS AND PART VI FOR COMBUSTION CONTROLS

NOTE



- 1 Control Cabinet see ML
- 2 Flame Detector see ML
- 3 Flame Detector Tube 907000-6213
- 4 Back Plate Assembly See Table 1
- 5a Oil Ignition Transformer see ML
- 5b OR Transformer Cover Plate 050024-0000
- 6 Modulating Motor Mounting Bracket (if used) 060799-0000
- 7 Modulating Motor (if used) see ML
- 8 Oil Pump Coupling see ML
- 9 Air Inlet Assembly see ML
 - Air Louver see Table 2
 - Air Louver Spring see Table 2
 - Oil Cylinder see Table 2
 - Oil Cylinder Mounting Bracket see Table 2
 - Ball Joint see Table 2
 - Air Louver Arm see Table 2
 - Oil Actuator Arm see Table 2
 - Air Inlet Box Cover see Table 2
- 10 Oil Pump see ML
- 11 Primary Air Cylinder see ML
- 12 Oil Drawer Assembly see ML
- 13 Oil Diffuser see ML
- 14 Oil Nozzle see ML
- 15 Oil Ignition Electrodes (if used) see ML
- 16 Main Fuel Tube see ML
- 17 Ignition Cables (if used) (specify length) 120018-1040
- 18 Combustion Head see ML
- 19 Primary Gas Orifices see ML
- 20 Secondary Gas Orifices see ML
- 21 Automatic Gas Valve see ML
- 22 Leak Test Valve see ML
- 23 216C Gas Pilot Electrode Assembly 230032-0000
- 24 216C Pilot Packing Nut 620014-0000
- 25 Pilot Air Tube (specify length) see ML
- 26 Burner Housing 060023-0000
- 27 Transformer Mounting Bracket see ML
- 28 Gas Pressure Regulator see ML
- 29 Pilot Solenoid Valve see ML
- 30 Gas Pilot Ignition Transformer see ML
- 31 Transformer Knob see ML
- 32 Gas Pilot Ignition Cable (specify length) 010192-0010
- 33 Blower Motor 120018-1040
- 34 Motor Mounting Plate see ML
- Blower Wheel see ML
- Air Inlet Cone see ML
- Air Scoop see ML
- Lens Assembly see Table 3
- Lens(1) 010136-0000
- Lens Gasket(2) / Gasket Pilot(1) 220008-0000
- Lens Retainer(1) 240172-0000